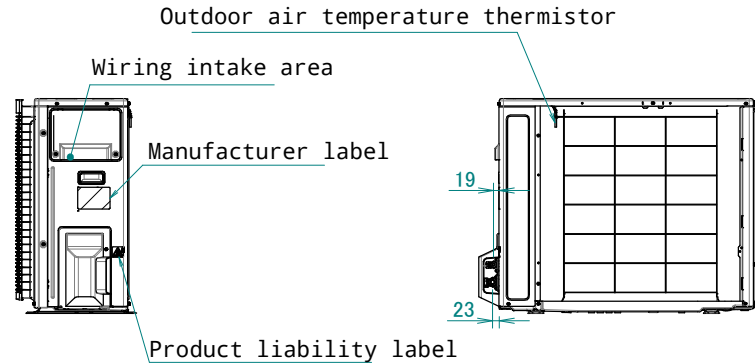
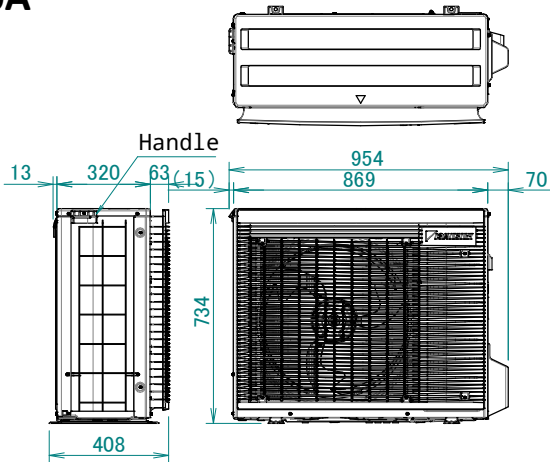
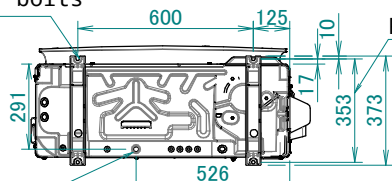


RXJ42-50A



4 holes for anchor bolts

·M8· or ·M10·

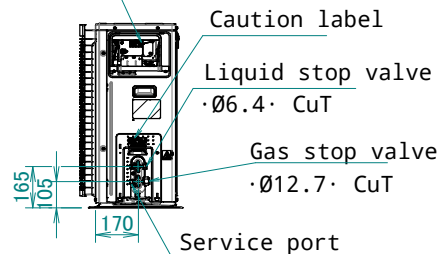


Pitch of foundation bolt holes

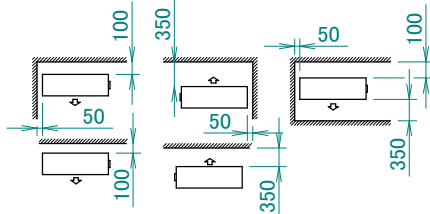
Drain outlet

Connection hose (inside diameter: ·15.9·mm)

In case of removing the stop valve cover.
Terminal strip with earth terminal



Minimum space for air passage
Wall height on air outlet side < 1200 mm



3D136943A