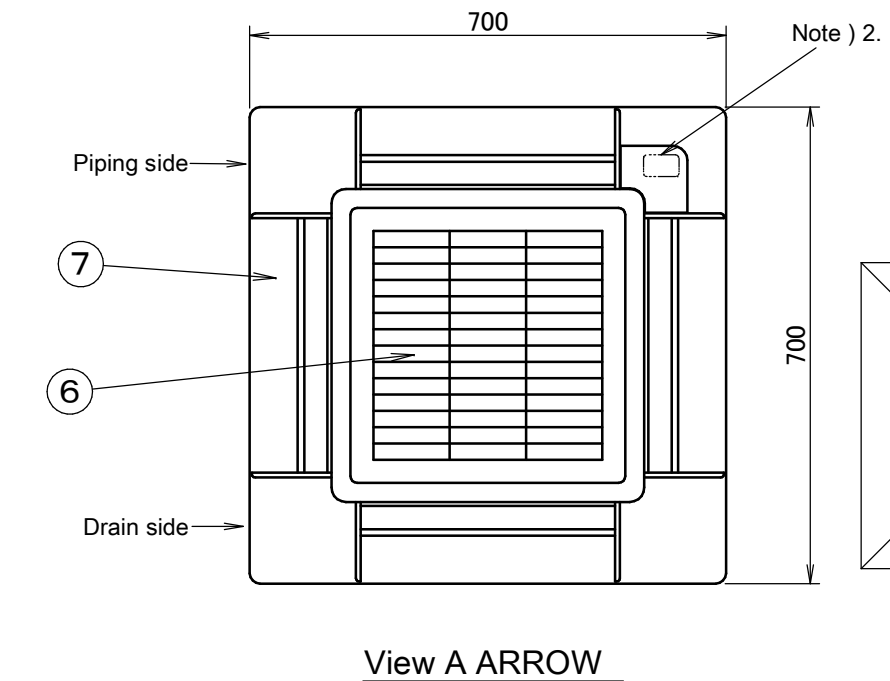


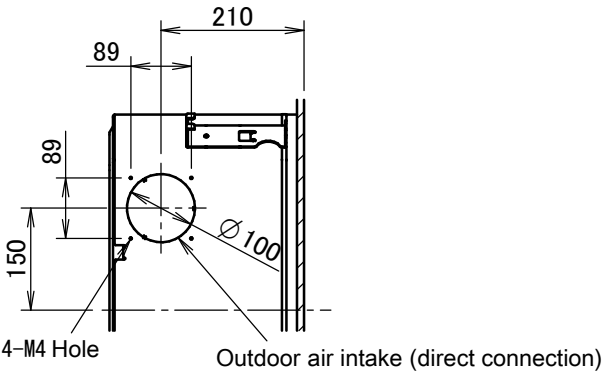
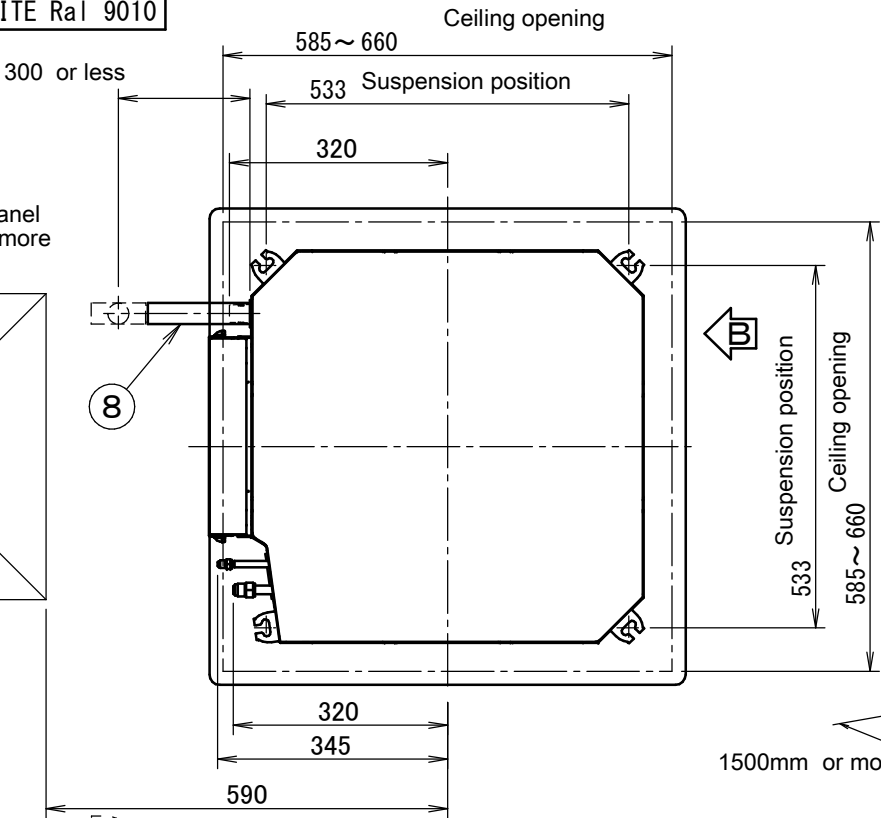
FFA25-35A

Decoration panel

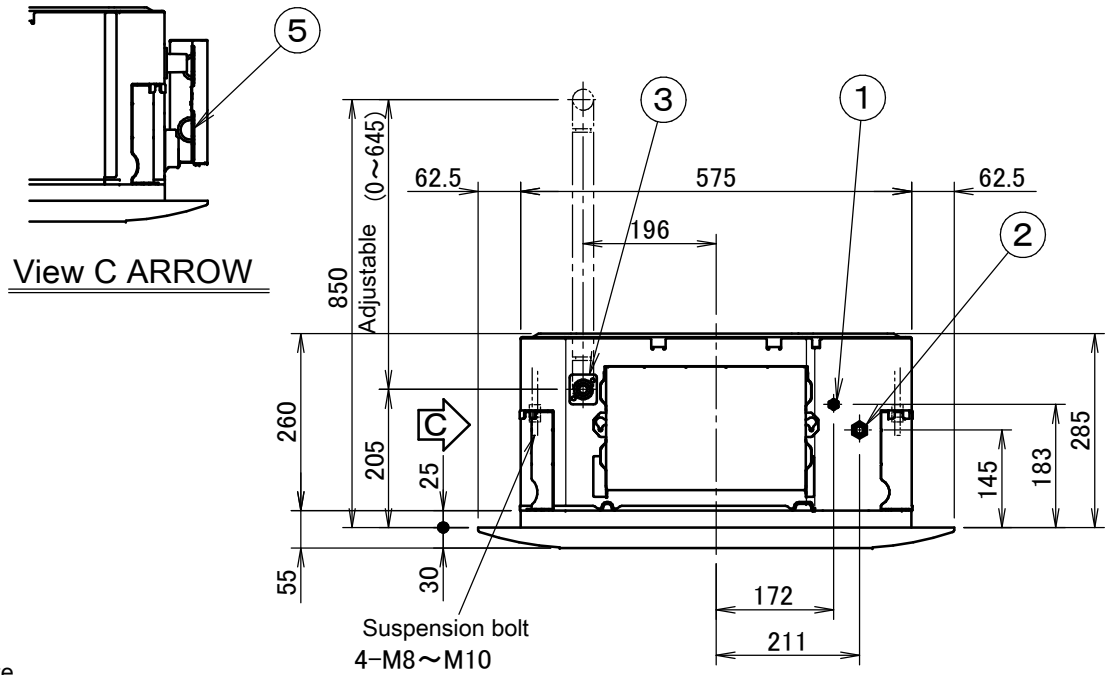
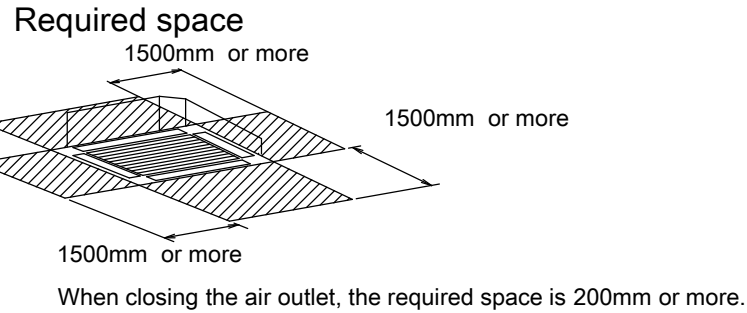
BYFQ60B2W1	WHITE RaI 9010
BYFQ60B3W1	WHITE RaI 9010



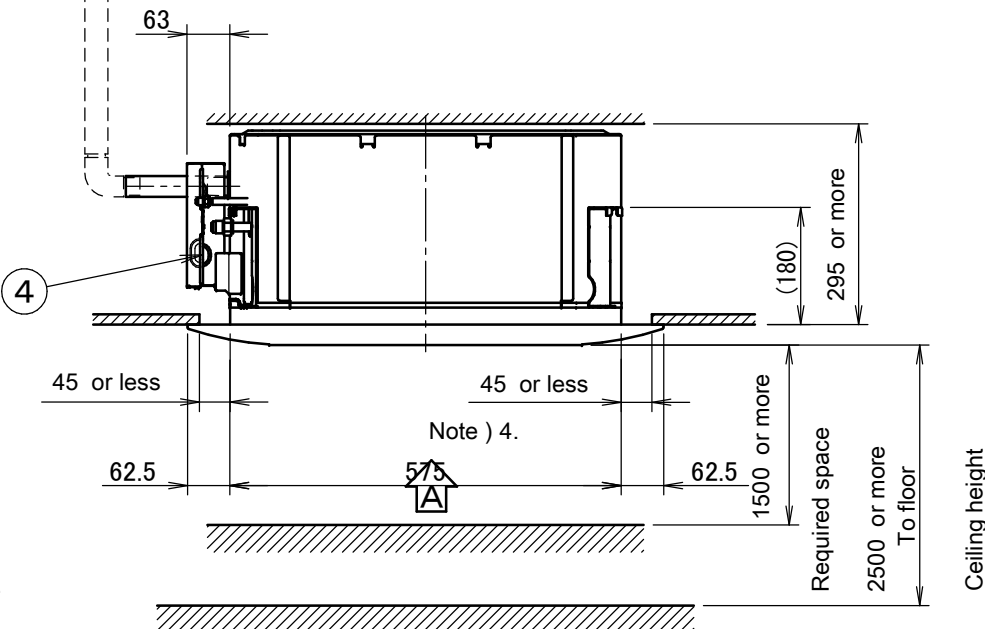
View A ARROW



View B ARROW



View C ARROW



- Note)
- Location of nameplate
The indoor unit nameplate is located on the bell mouth inside the suction grille.
The decoration panel nameplate is located on the inner frame inside the suction grille.
 - When installing a wireless controller, there will be a receiver on this location. For details, see the drawing of the wireless controller.
 - If any of the following conditions are met, additional insulation (glass wool or polyethylene foam, thickness $\geq 10\text{mm}$) is required:
Ambient conditions in the ceiling $\geq 30^\circ\text{C}$ and 80% relative humidity.
Fresh air is inducted into the ceiling. The unit operates continuously.
 - Though the installation is acceptable up to maximum 660mm square ceiling opening, keep the clearance of 45mm or less between the indoor unit and the ceiling opening, so that the panel overlap allowance can be ensured.

Item	Part name	Remark	Item	Part name	Remark
1	Liquid pipe connection	$\phi 6.4$ Flare connection	5	Remote control wiring intake	
2	Gas pipe connection	$\phi 9.5$ Flare connection	6	Air discharge grille	
3	Drain pipe connection	VP20 (O. D. $\phi 26$)	7	Air suction grille	
4	Power supply		8	Drain hose Accessory	I. D. $\phi 25$ Outlet