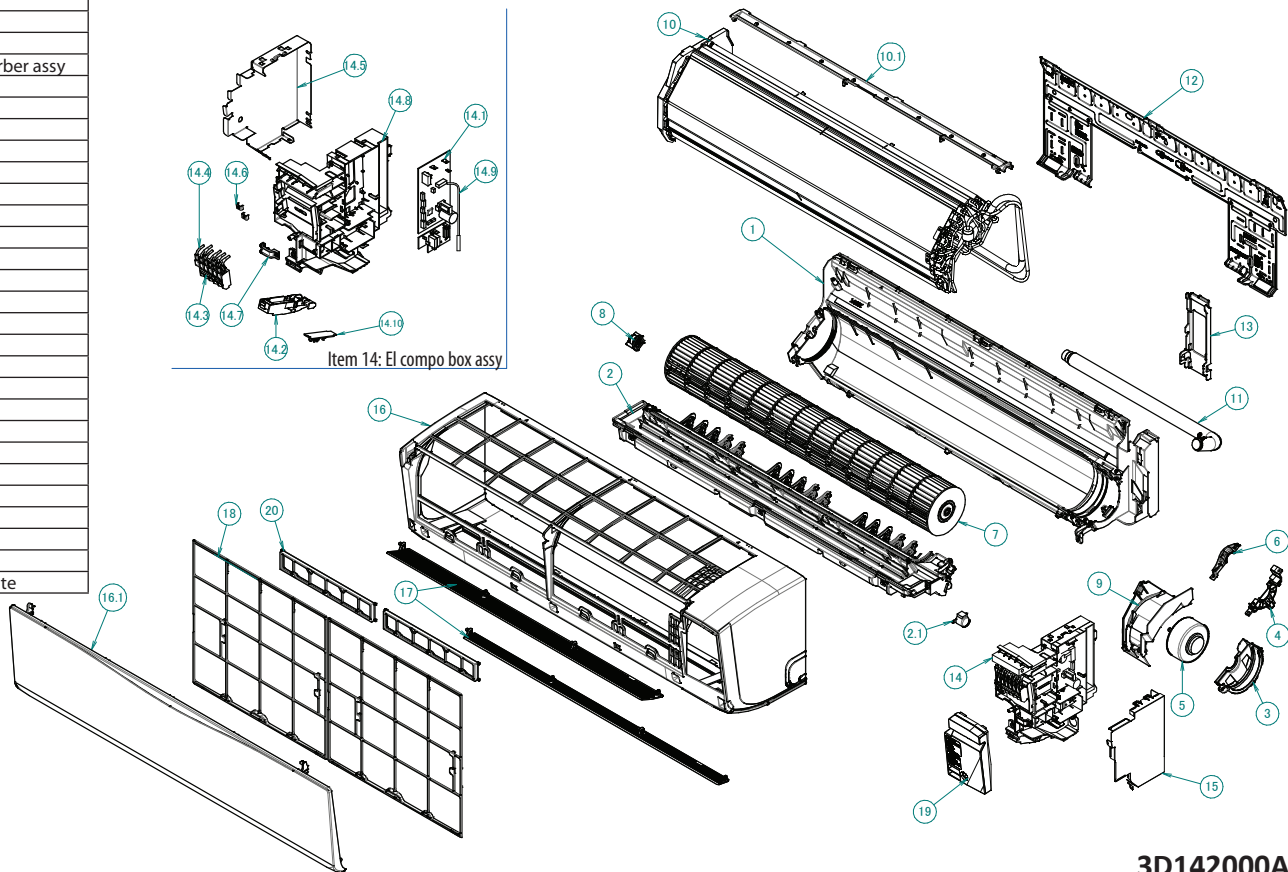
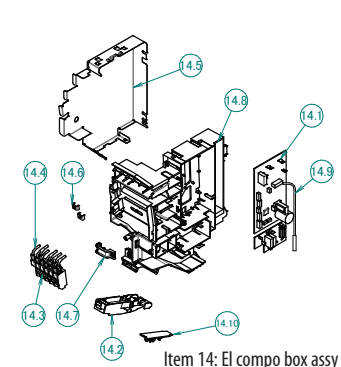


# ATXC60-71D

# FTXC60-71D

No	Description
1	Bottom frame assy
2	Drain pan assy
2.1	Stepping motor
3	Motor mounting plate (1)
4	Motor mounting plate (2)
5	Fan motor
6	Motor mounting plate (3)
7	Cross flow fan assy
8	Fan bearing vibration absorber assy
9	Right side panel (resin)
10	Heat exchanger assy
10.1	Sealing plate (top)
11	Drain hose assy
12	Installation plate assy
13	Piping fixture
14	El. Compo assy
14.1	PCB assy (main)
14.2	Indication lamp cover
14.3	Terminal block
14.4	Wire harness assy
14.5	Shield plate (1)
14.6	Earth clamp
14.7	Wire clamp
14.8	El compo box
14.9	Indoor coil sensor
14.10	PCB assy (display board)
15	Shield plate (2)
16	Front grille
16.1	Front panel
17	Disch grille hori blade assy
18	Air filter
19	Service cover assy
20	Air filter assy titanium apatite



3D142000A