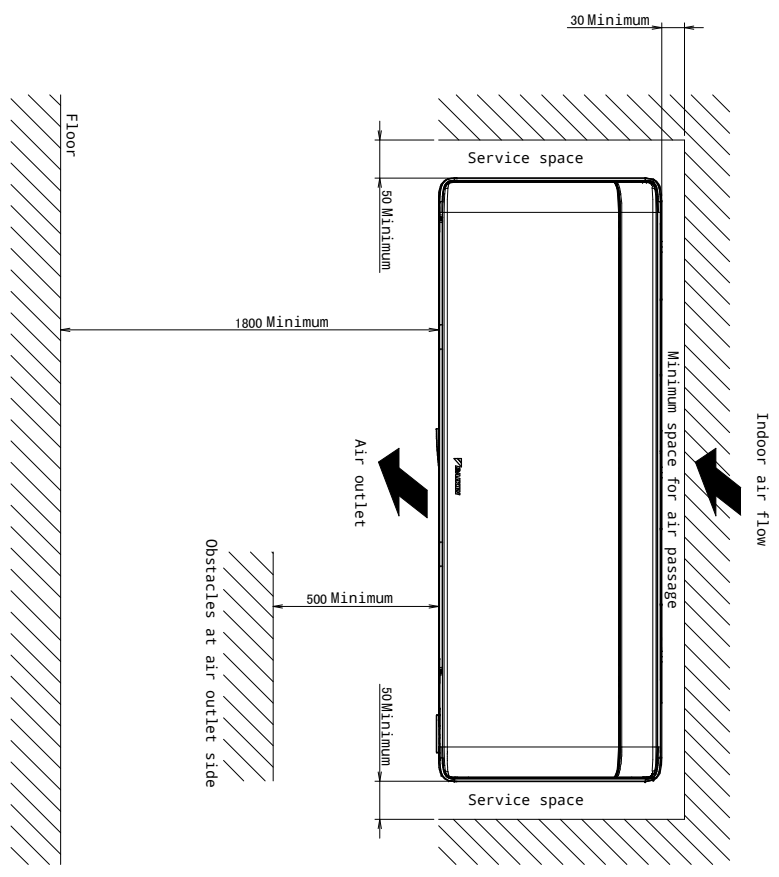
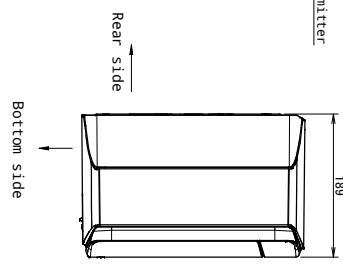
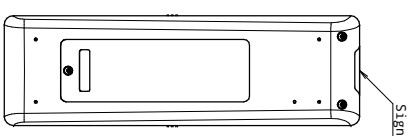
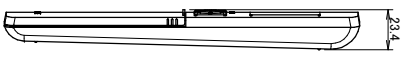
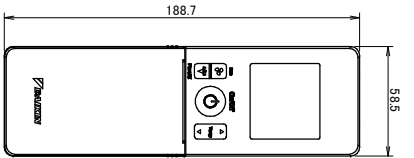


Required space for service and ventilation

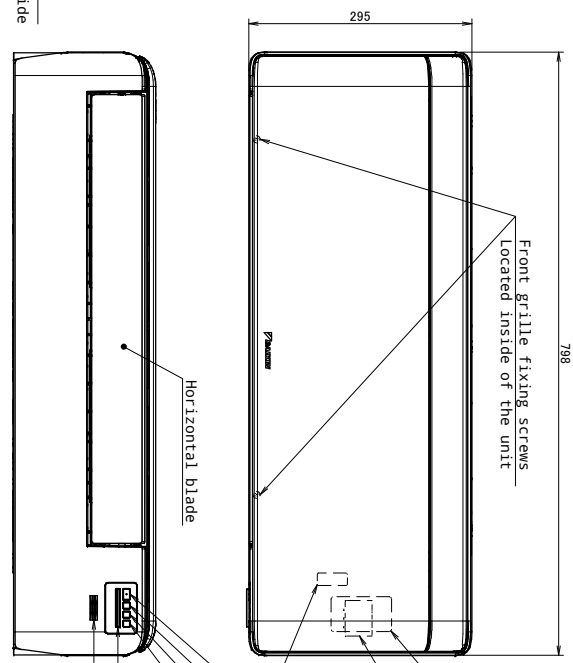


Wireless remote control

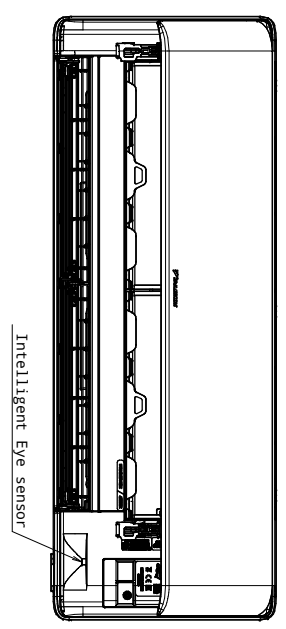
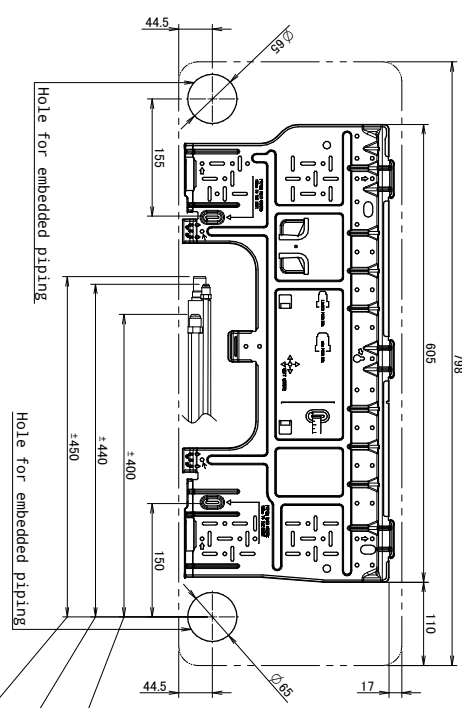
ARC466A85



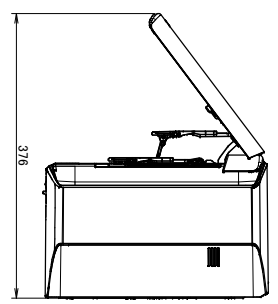
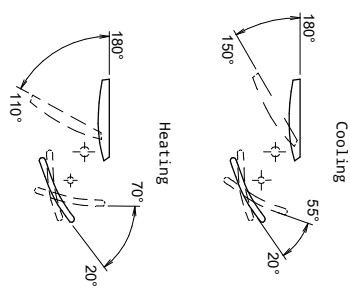
Left side



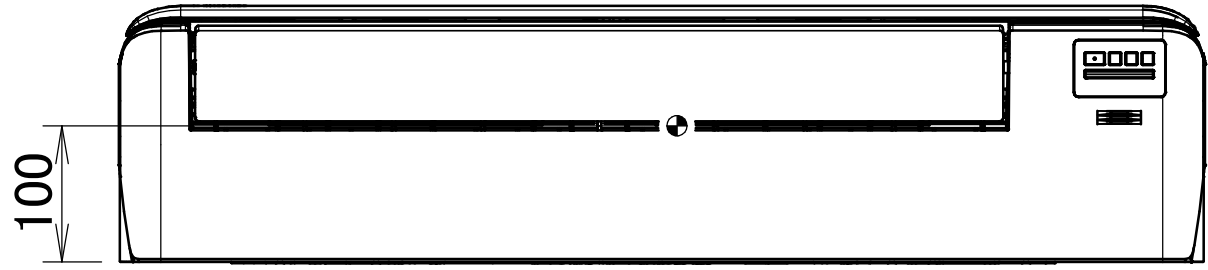
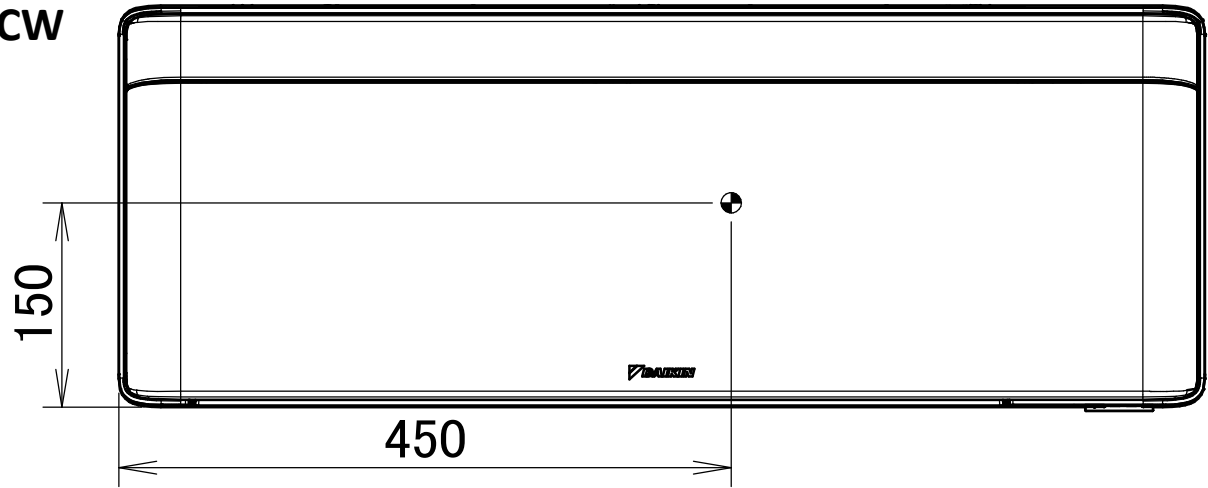
Standard location of holes in the wall



Blade angle



FTXA-CB
FTXA-CS
FTXA-CW



4D147660