

EBBH-D6V

EBBH-D9W

EBBX-D6V

EBBX-D9W

① Holes (Ø8.5) for wall fixation

② Water out connection (1" F BSP)

③ Water in connection (1" F BSP)

④ Refrigerant liquid connection Ø6.35
Flare connection

⑤ Refrigerant gas connection Ø15.9
Flare connection

⑥ Pump

⑦ User interface

⑧ Safety valve
Pressure

⑨ Air purge

⑩ Expansion vessel

⑪ Magnetic filter / dirt separator

⑫ Heat exchanger (refrigerant / water)

⑬ Shut-off valves

⑭ Wire entrance of the power supply / communication wire

⑮ Service door

⑯ Switch box terminals

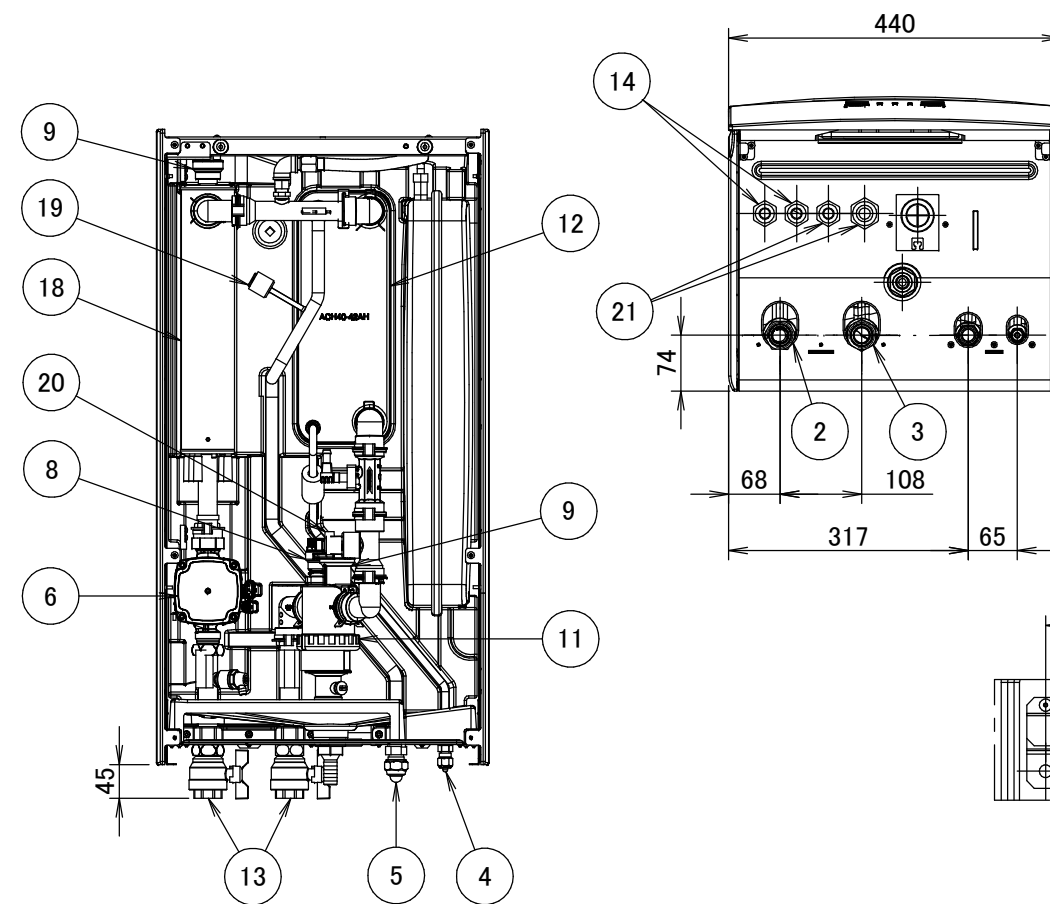
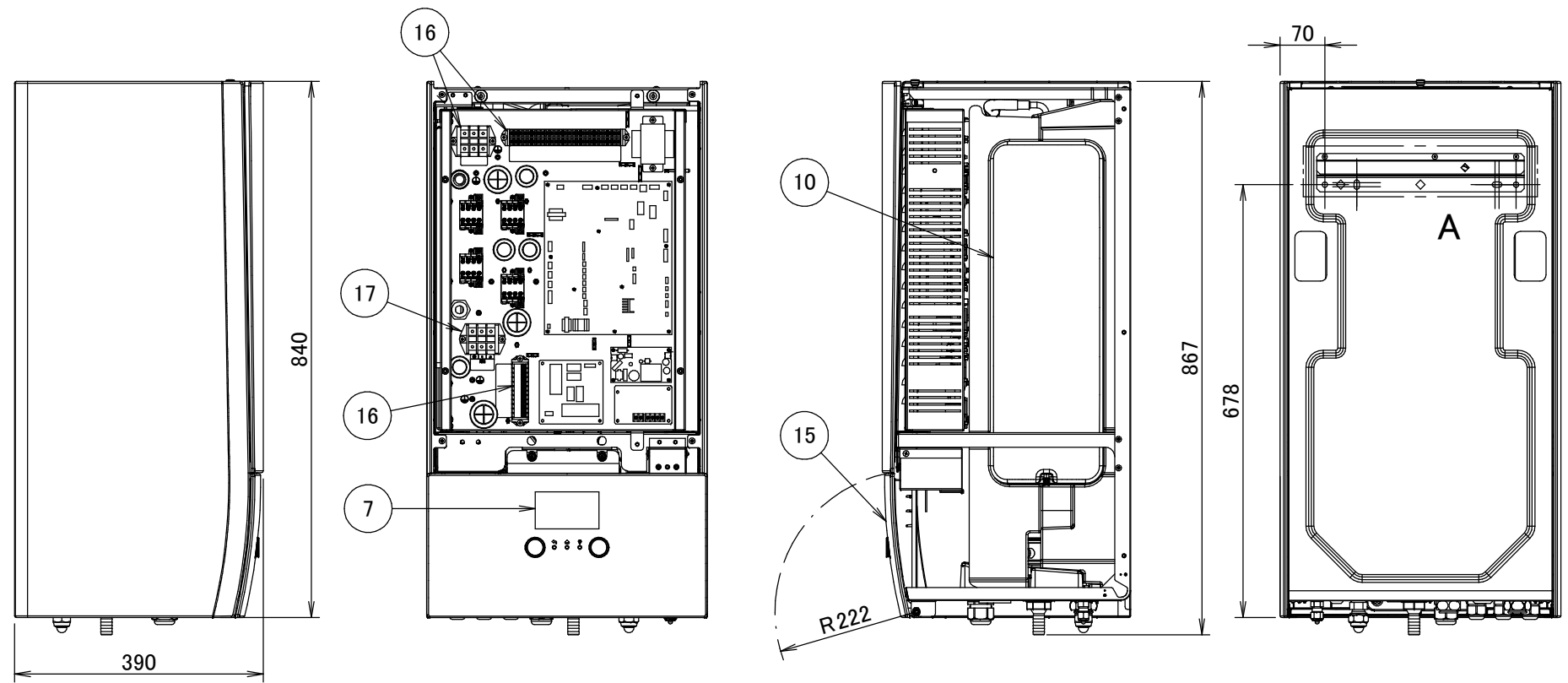
⑰ Switch box terminals for the domestic hot water tank (option)

⑱ Backup heater

⑲ Refrigerant pressure sensor

⑳ Space heating water pressure sensor

㉑ Options



**DETAIL A
WALL FIXATION**