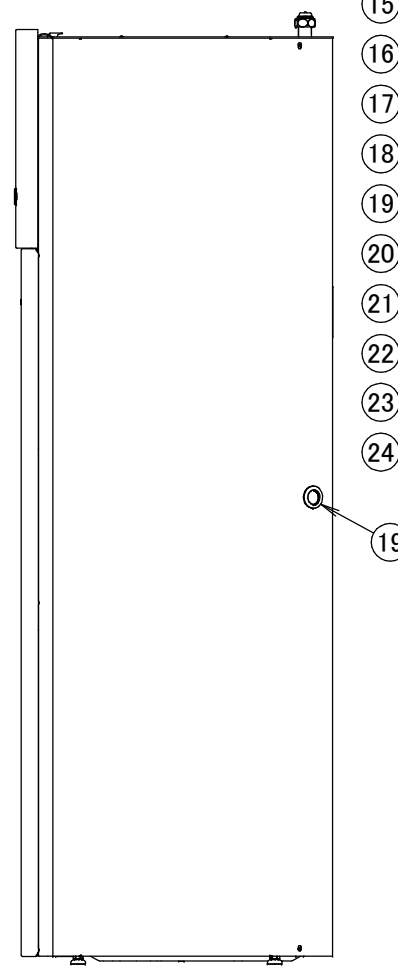
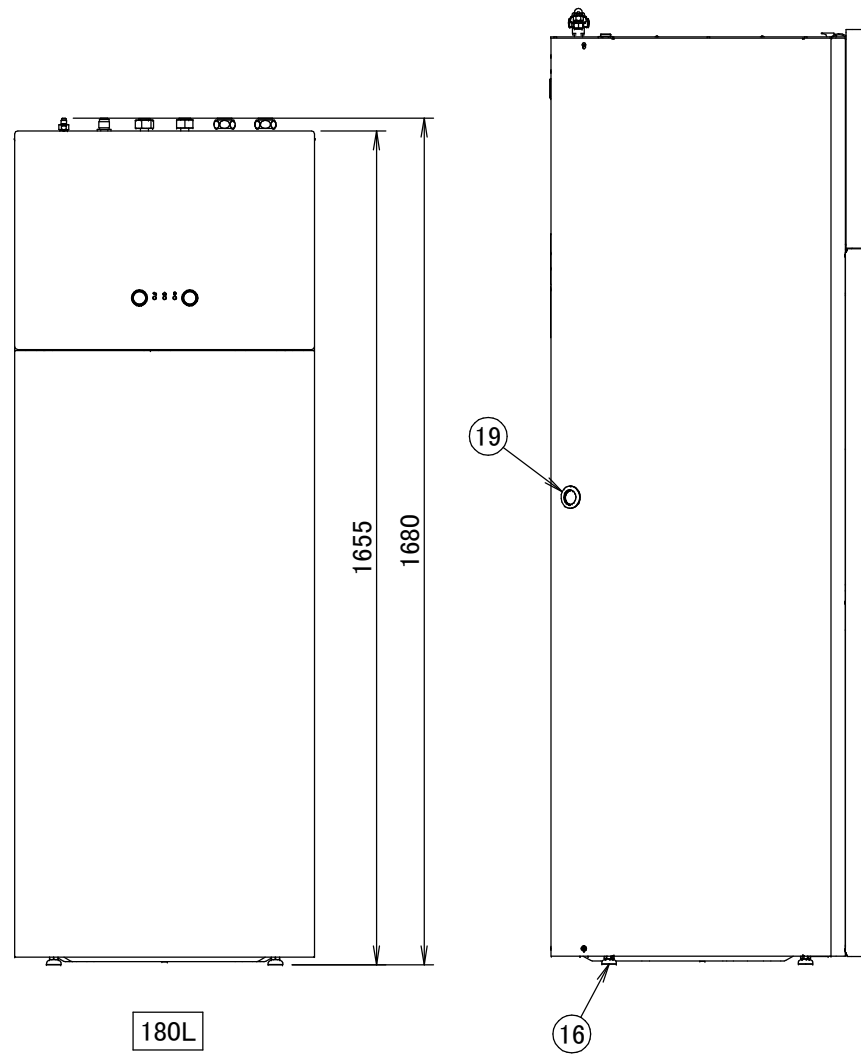
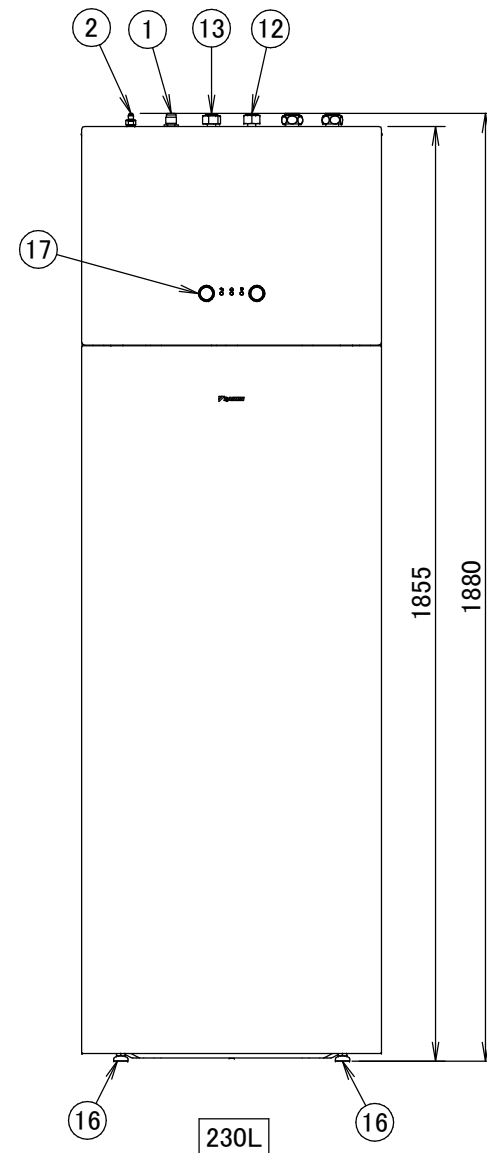
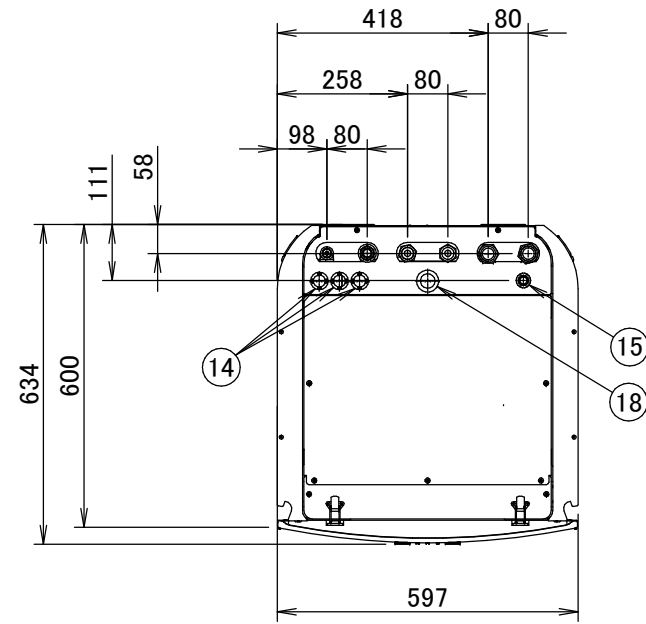
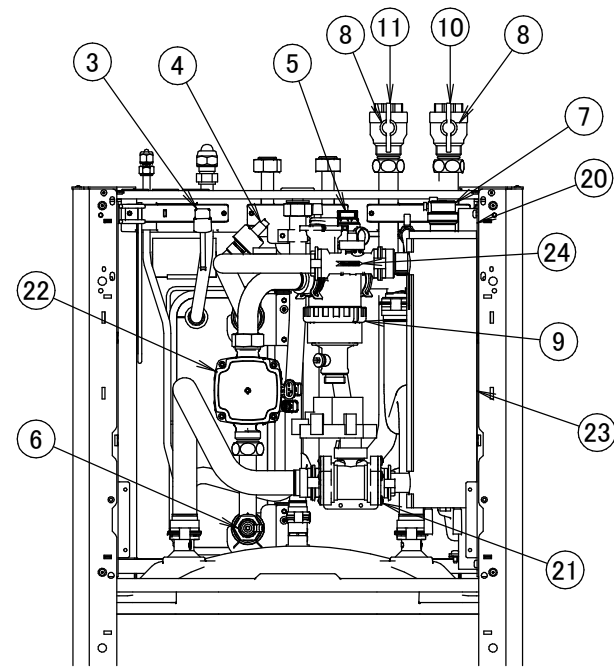
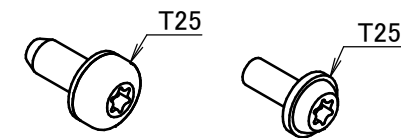


EHVH-D6VG  
 EHVH-D9WG  
 EHVX-D3VG  
 EHVH-D6VG  
 EHVX-D9WG



- ① Gas pipe connection Ø 15.90mm flare
- ② Liquid pipe connection Ø 6.35mm flare
- ③ Refrigerant pressure sensor
- ④ Space heating water pressure sensor
- ⑤ Safety valve
- ⑥ Drain valve water circuit
- ⑦ Air purge
- ⑧ Shut-off valve
- ⑨ Water filter
- ⑩ Water in connection 1" F BSP
- ⑪ Water out connection 1" F BSP
- ⑫ Domestic hot water: cold water in 3/4" F BSP
- ⑬ Domestic hot water: hot water out 3/4" F BSP
- ⑭ High voltage wiring intake Ø 24mm
- ⑮ Low voltage wiring intake Ø 15mm
- ⑯ Levelling feet
- ⑰ User interface
- ⑱ Recirculation connection G 3/4" (female)
- ⑲ Drain outlet (unit + safety valve)
- ⑳ Expansion vessel
- ㉑ 3-way valve
- ㉒ Pump
- ㉓ Backup heater
- ㉔ Flow sensor

Screws used in this unit:



The typical field installation has to be done according to the applicable legislation. For examples, refer to the installer reference guide.