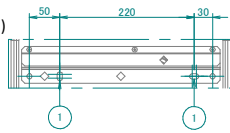
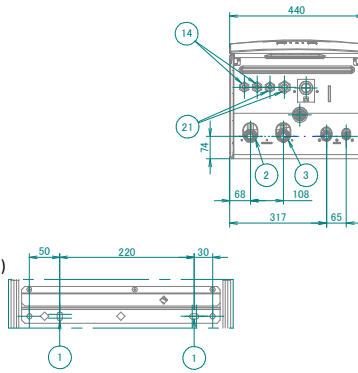
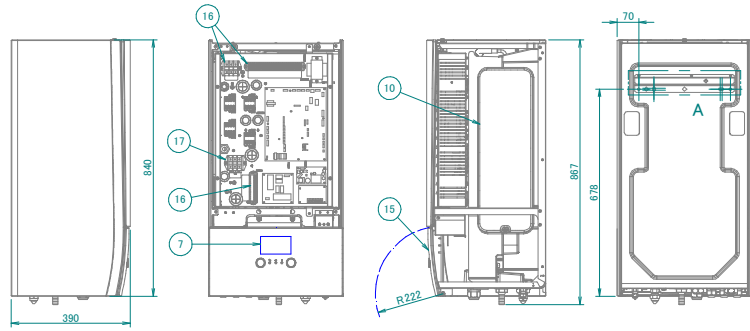


# 5 Dimensional drawings

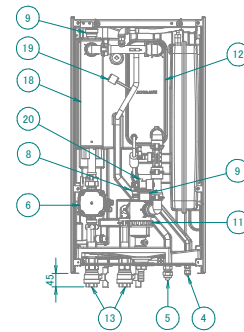
## 5 - 1 Dimensional Drawings

### EHB(H-X)-E6V EHB(H-X)-E9W

- ① Holes (∅8.5) for wall fixation
- ② Water out connection (1" F BSP)
- ③ Water in connection (1" F BSP)
- ④ Refrigerant liquid connection ∅6.35-Flare connection
- ⑤ Refrigerant gas connection ∅15.9-Flare connection
- ⑥ Pump
- ⑦ User interface
- ⑧ Safety valve Pressure
- ⑨ Air purge
- ⑩ Expansion vessel
- ⑪ Magnetic filter / dirt separator
- ⑫ Heat exchanger (refrigerant / water)
- ⑬ Shut-off valves
- ⑭ Wire entrance of the power supply / communication wire
- ⑮ Service door
- ⑯ Switch box terminals
- ⑰ Switch box terminals for the domestic hot water tank (option)
- ⑱ Backup heater
- ⑲ Refrigerant pressure sensor
- ⑳ Space heating water pressure sensor
- ㉑ Options



DETAIL A  
WALL FIXATION



3D111842A