

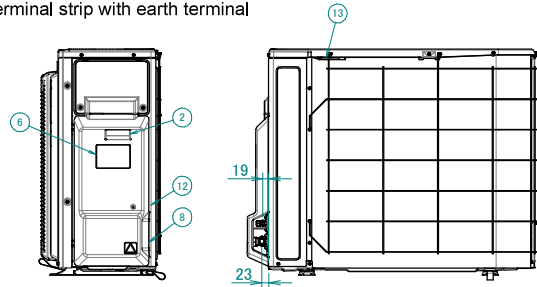
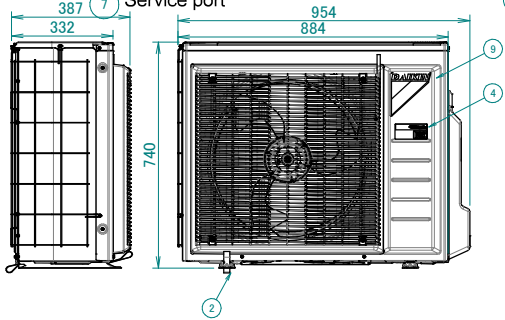
6 Dimensional drawings

6 - 1 Dimensional Drawings

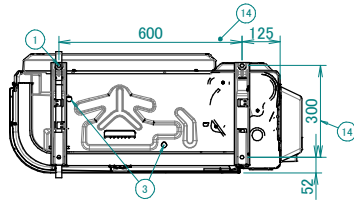
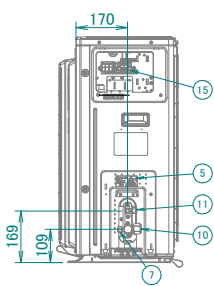
6

ERGA04-08EV
ERGA04-08EVA

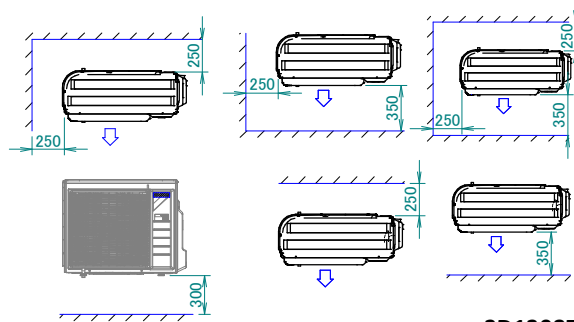
- ① 4 holes for anchor bolts
M8 OR M10
- ② Handle
- ③ Drain outlet
- ④ Nameplate
- ⑤ Caution label
- ⑥ Manufacturer label
- ⑦ Service port
- ⑧ Wiring intake area
- ⑨ Brand name label
- ⑩ Gas stop valve $\varnothing 15.9$ CuT
- ⑪ Liquid stop valve $\varnothing 6.4$ CuT
- ⑫ Product liability label
- ⑬ Outdoor air temperature thermistor
- ⑭ Pitch of foundation bolt holes
- ⑮ Terminal strip with earth terminal



In case of removing the stop valve cover.



Minimum space for air passage
Wall height on air outlet side < 1200 mm



3D130871