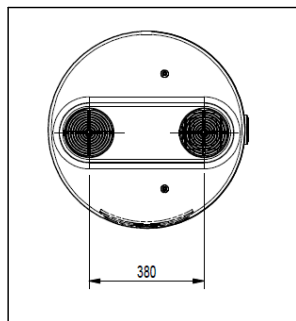
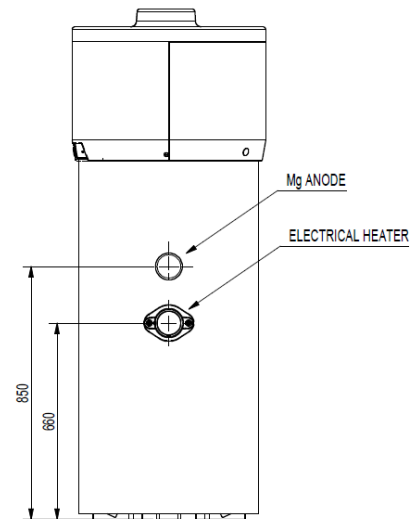
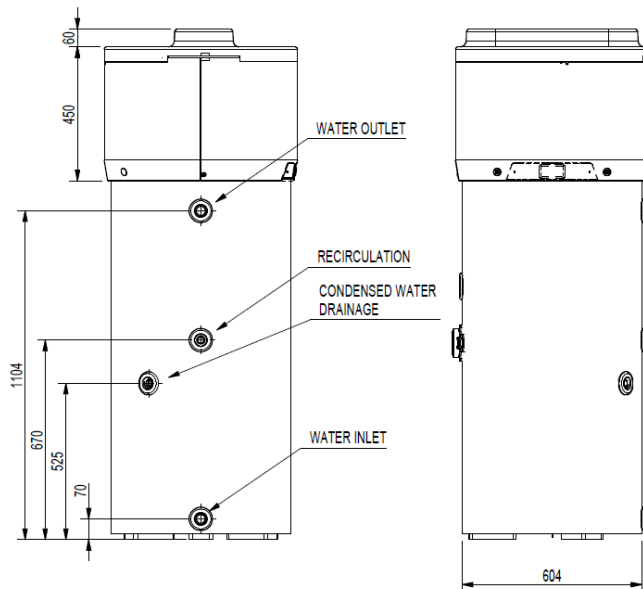
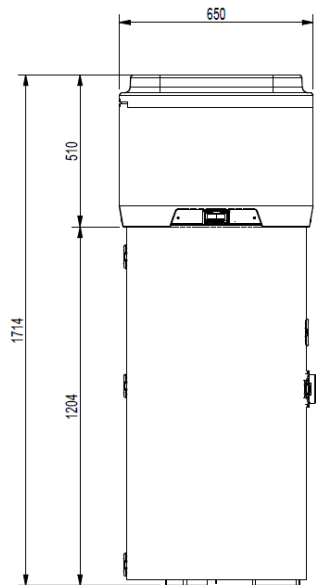


EKHH2E200AV3



- XX Critical dimensions which must be under capability
- (XX) Reference dimension
- N, F, XX Not functional dimension
- XX Rounding off dimension
- Draft angles (not shown): 90°

- ALL MATERIALS MUST BE IN CONFORMITY WITH NORM RoHS 2002/95/CE
- TUBES FREE FROM BURRS
- TUBE INTERNAL CLEANLINESS AND MOISTURE AS NORM DIN 8964
- FOR MECHANICAL WORKINGS USE ONLY ESTER SYNTHETIC OILS SUITABLE FOR R134a-R600 REFRIGERANT GASES